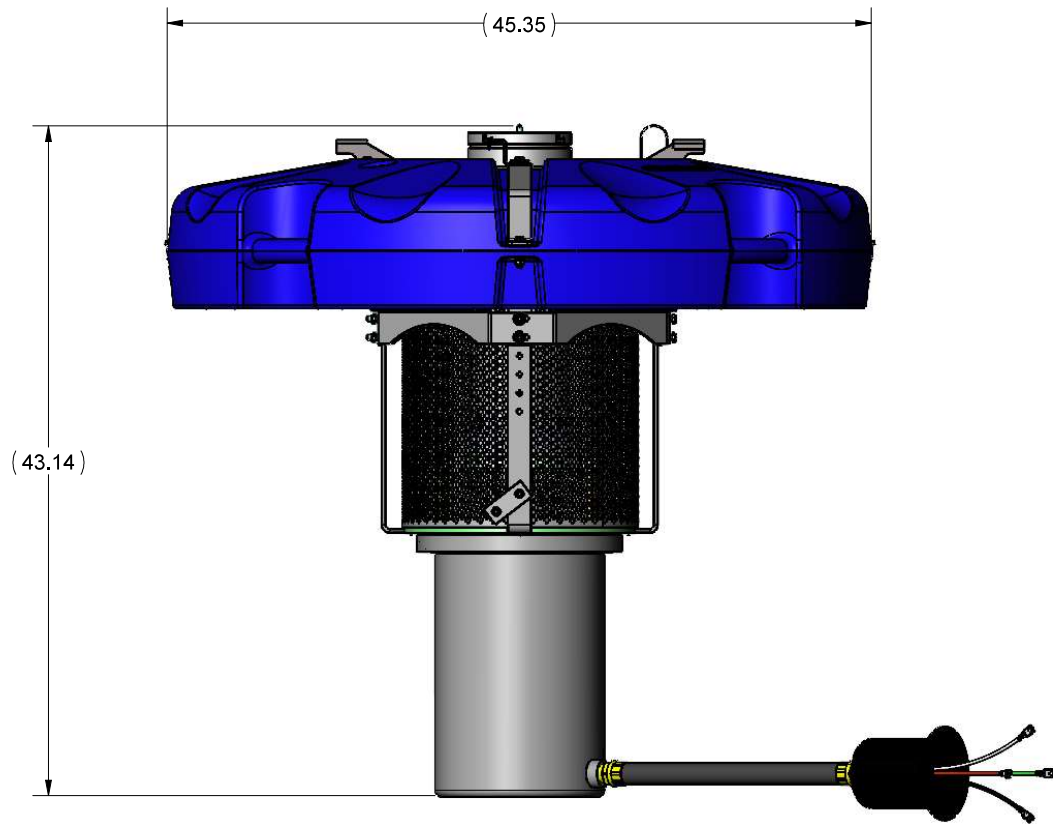

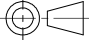


6 | 5 | 4 | 3 | 2 | 1



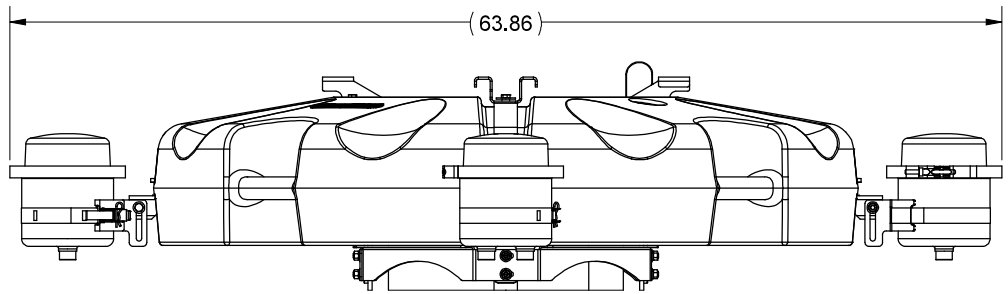
**OVERALL DIMENSIONS FOR 7.5-10HP  
MASTERS GRAND SERIES**

7.5HP FOUNTAIN ASSEMBLY SHOWN FOR REFERENCE

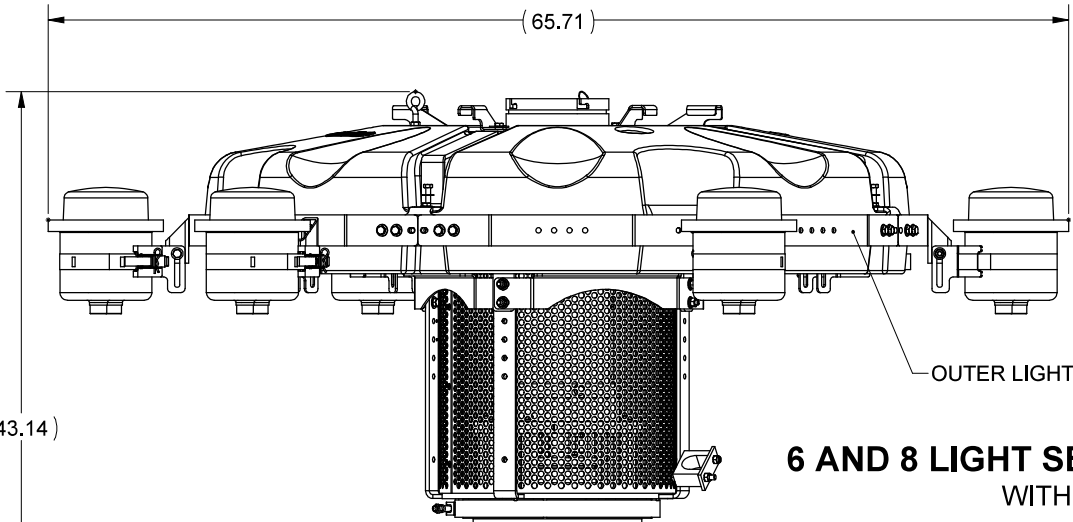
MATERIAL: SEE PART DRAWINGS	UNLESS OTHERWISE SPECIFIED: DIMENSIONS ARE IN INCHES 1 XXX1 = MM (MILLIMETERS)		 16024 COUNTY RD. X, KIEL, WI. 53042																		
	FINISH: NONE	TOLERANCES: INCH (METRIC)		DESCRIPTION: Document, Reference, Owner's Manual Graphics																	
DRAWN BY: OAH	.0" ±.030    .0 MM ±0.8	ANGLES: ±.5° DRAFT: ±1° 	DWG. NO. <b>3003777</b>																		
DATE: 2021-01-20	.00" ±.015    .00 MM ±0.4			REV <b>A</b>																	
SHEET 1 OF 5		SCALE 1:8	SIZE B																		
REVISION HISTORY		DO NOT SCALE DRAWING																			
<table border="1"> <thead> <tr> <th>A</th> <th>INITIAL CREATION</th> <th>OAH</th> <th>RGL</th> <th>30293</th> <th>2021-03-22</th> </tr> <tr> <th>REV</th> <th>DESCRIPTION</th> <th>BY</th> <th>CHK</th> <th>ECN</th> <th>DATE</th> </tr> </thead> <tbody> <tr> <td> </td> <td> </td> <td> </td> <td> </td> <td> </td> <td> </td> </tr> </tbody> </table>		A	INITIAL CREATION	OAH	RGL	30293	2021-03-22	REV	DESCRIPTION	BY	CHK	ECN	DATE							PROPRIETARY AND CONFIDENTIAL <small>THE INFORMATION CONTAINED IN THIS DRAWING IS THE SOLE PROPERTY OF AQUAMASTER. ANY REPRODUCTION IN PART OR AS A WHOLE WITHOUT THE WRITTEN PERMISSION OF AQUAMASTER IS PROHIBITED.</small>	
A	INITIAL CREATION	OAH	RGL	30293	2021-03-22																
REV	DESCRIPTION	BY	CHK	ECN	DATE																

5 | 4 | 3 | 2 | 1


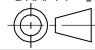
6 | 5 | 4 | 3 | 2 | 1



**4 LIGHT SET OVERALL WIDTH ON UNIT  
WITHOUT OUTER LIGHT RING**



**6 AND 8 LIGHT SET OVERALL WIDTH ON UNIT  
WITH OUTER LIGHT RING**

MATERIAL: SEE PART DRAWINGS		UNLESS OTHERWISE SPECIFIED: DIMENSIONS ARE IN INCHES 1 XXX1 = MM (LIMITS)		 16024 COUNTY RD. X, KIEL, WI. 53042 DESCRIPTION: Document, Reference, Owner's Manual Graphics
FINISH: NONE		TOLERANCES: INCH (METRIC) .0" ±.030 .0 MM ±0.8 .00" ±.015 .00 MM ±0.4 .000" ±.005 .000 MM ±0.1 FRACTIONS ±1/64 ANGLES: ±.5° DRAFT: ±1°		
DRAWN BY: OAH				DWG. NO. <b>3003777</b>
DATE: 2021-01-20		DO NOT SCALE DRAWING PROPRIETARY AND CONFIDENTIAL		
SHEET 2 OF 5	SCALE 1:8	SIZE B		

6 | 5 | 4 | 3 | 2 | 1