

6

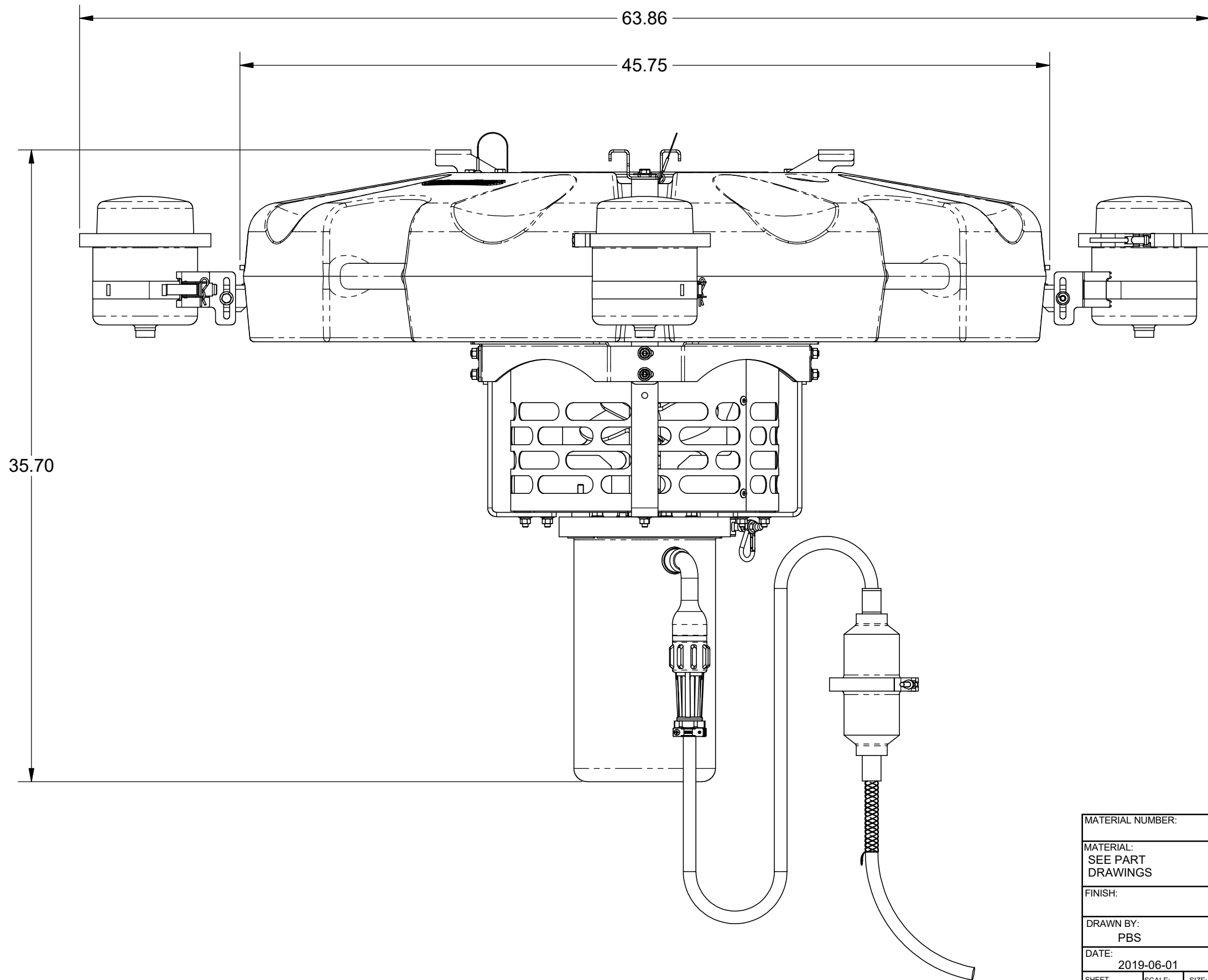
5


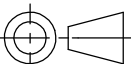
4

3

2

1



MATERIAL NUMBER:		UNLESS OTHERWISE SPECIFIED: DIMENSIONS ARE IN INCHES (XXX) = MILLIMETERS		 FOUNTAINS AND AERATORS A DIVISION OF NIGRELLI, INC. 16024 COUNTY RD. X, KIEL, WI. 53042
MATERIAL: SEE PART DRAWINGS		TOLERANCES: INCH, [METRIC] .0" ±.030 .0 MM ±0.8 .00" ±.015 .00 MM ±0.4 .000" ±.005 .000 MM ±0.1 FRACTIONS ±1/64 ANGLES: ±.5° DRAFT: ±1°		
FINISH:				DESCRIPTION: VOLCANO III, 1.5 HP to 5.5 HP
DRAWN BY: PBS		DO NOT SCALE DRAWING PROPRIETARY AND CONFIDENTIAL		
DATE: 2019-06-01		SHEET: 3 OF 3 SCALE: 1:10 SIZE: B		DWG. NO. 3000757
THE INFORMATION CONTAINED IN THIS DRAWING IS THE SOLE PROPERTY OF AQUAMASTER. ANY REPRODUCTION IN PART OR AS A WHOLE WITHOUT THE WRITTEN PERMISSION OF AQUAMASTER IS PROHIBITED.		REV A		

D

D

C

C

B

B

A

A